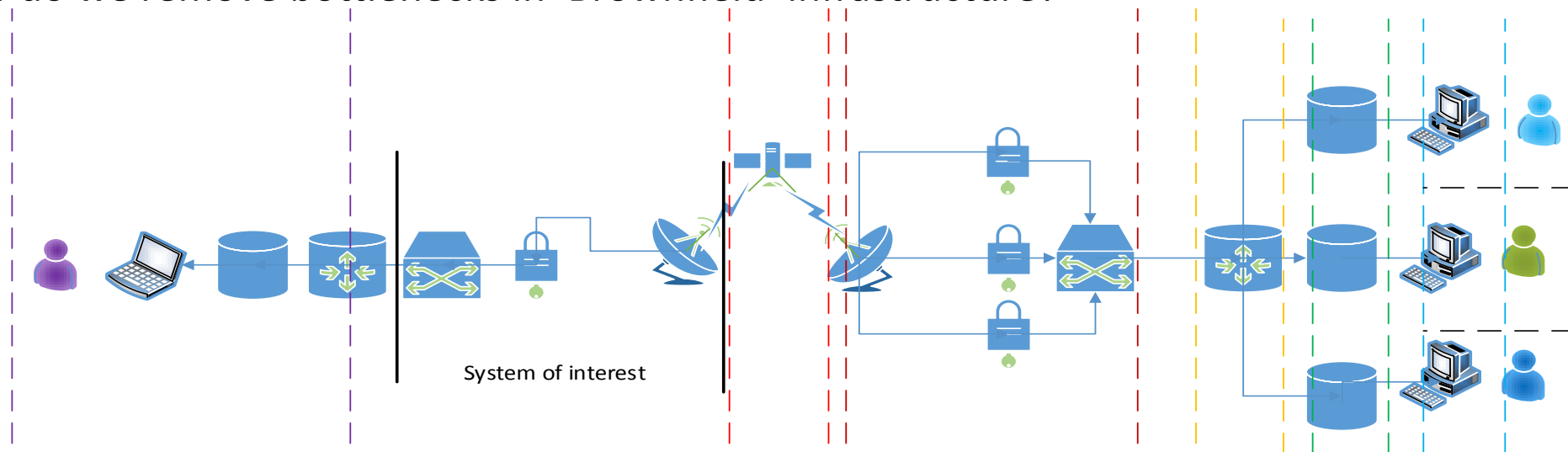


Small Group Session B:
Removing Bottlenecks in
'Brownfield' Infrastructure

Topic - Context/Problem

- Defence has a capability to provide SECRET voice and data to a deployed user – relies on SatCom (£, one terminal per security domain) and a replacement is sought that is:
 - Cheaper (operating cost/through life)
 - More capable – WiFi, 3G/4G, Wired Internet, Voice, more “Domains” – remove bottlenecks
 - A “Capability” (not just Equipment, all lines of development: Training, Logistics etc)
- There is little appetite or ability to influence activity outside of the boundary (programmatics)
- How do we remove bottlenecks in ‘Brownfield’ infrastructure?



Core Goals of Discussion

- How do we understand enough of the wider system context to enable effective decision making?
 - To support: acquisition, investment, risk, design, system implementation
- What is the action plan to gain that understanding?
- How do we exploit the understanding gained from systems thinking?

Key Questions

- How do we maintain focus on areas we can influence (vs concerns we cannot influence)?
- What are the key systems relationships and how do they affect our understanding?
- How do we identify leverage points in the system?
- What assumptions do we make up front that affect subsequent architecture and design?
- How do organisation and interaction of parts create emergent behaviour?